

Product Specification

Product Class: LED LENS

Item No: **DK-5050-156X68-TPII-M-12H1**

Material: PC(UV)

Certification: RoHS


Sut Up:PeiShan Wu

Check:JianHuaZhang

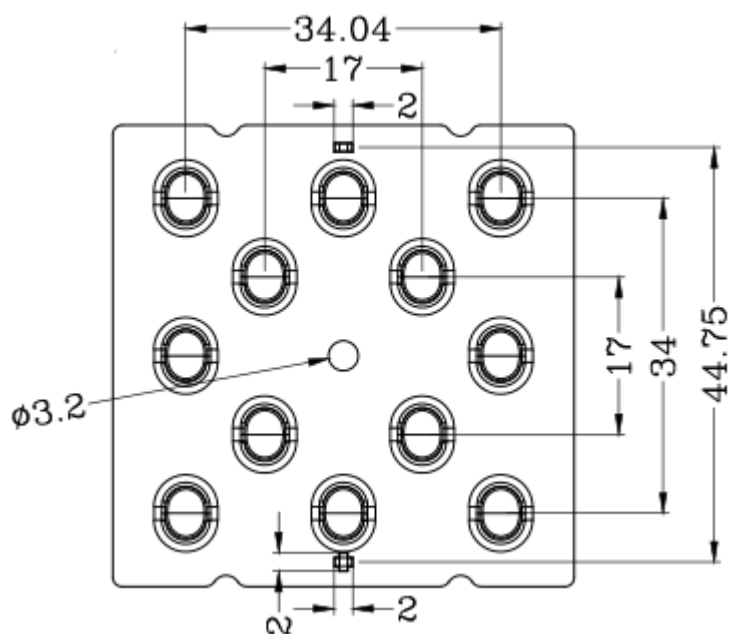
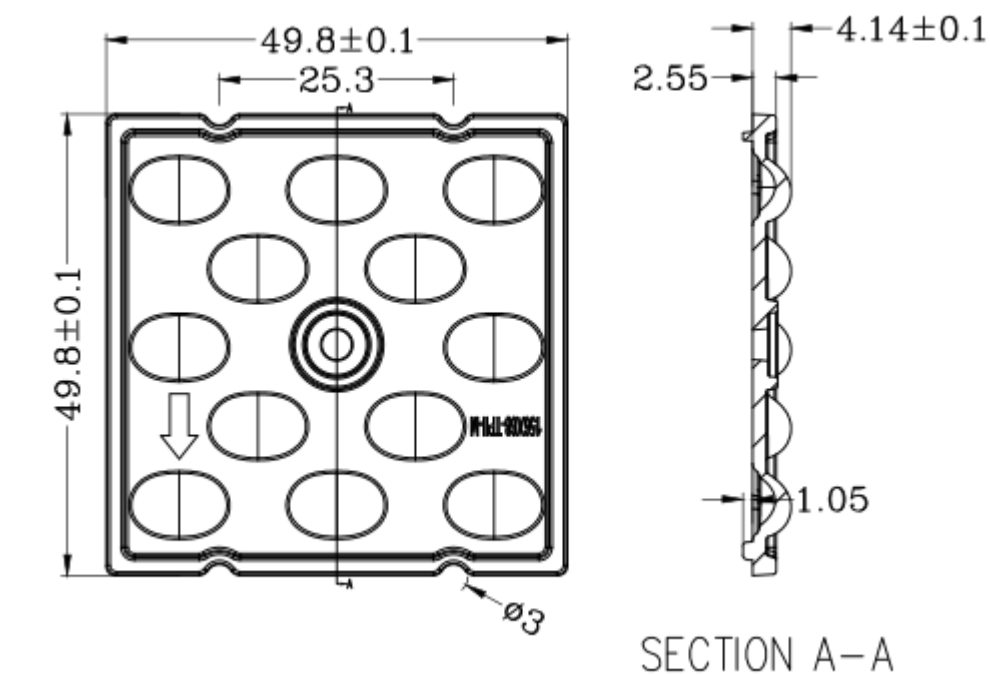
Content

| | |
|------------------------|---|
| Specification----- | 3 |
| 2D Drawing----- | 4 |
| Optical Datasheet----- | 5 |
| Packing----- | 6 |
| Application Notes----- | 7 |

Specification

| Item No | Picture | Size | Matched LED | Lighting Application |
|-------------------------------|------------------------------------------------------------------------------------|-----------------------------------------------------------------------|-------------|----------------------|
| DK-5050-156X68-TPII-M-12H1-U1 |  | <p>diamete: 49.8*49.8MM</p> <p>height:4.14MM</p> <p>FWHM: 156X68°</p> | 3030 | Street Lamp |

Drawing



Optical Test Report

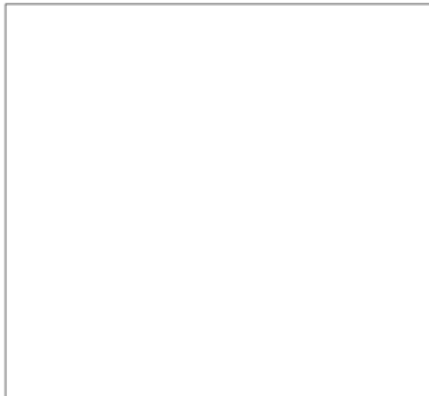
产品特征

| | |
|-------------|------------|
| 灯具制造厂商: | |
| 光源型号: 3030 | 电压: 36.0 V |
| 电流: 0.125 A | 功率: 4.49 W |
| 功率因数: 1.000 | |

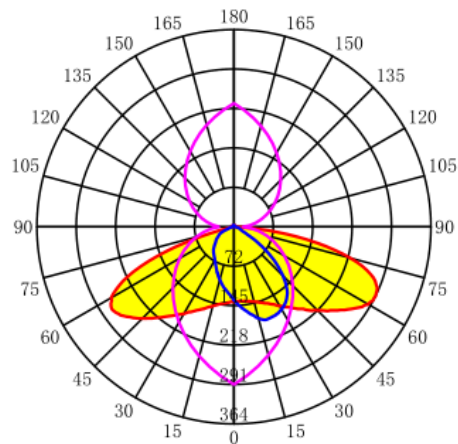
光度结果

| | |
|----------------------------------------------------------|----------------------|
| 灯具CIE分类: 直接型 | 额定光通量: 726.5 lm |
| 灯具光通量: 726.5 lm | 灯具效率: 100% |
| 下射光通量比: 98% | 上射光通量比: 2% |
| 水平扩散角(10%, 50%, 75%, 100%): H161.4, H149.5, H141.2, H120 | |
| 垂直扩散角(10%, 50%, 75%, 100%): V133.3, V83.4, V58.6, V20 | |
| 灯具光效等级(LER): 161.86 | 中心光强: 138.39 cd |
| 峰值光强: 291.61 cd | 峰值光强位置: H0 V64 |
| S/MH(C0/C180): 2.30 | S/MH(C90/C270): 1.34 |

灯具实物照片

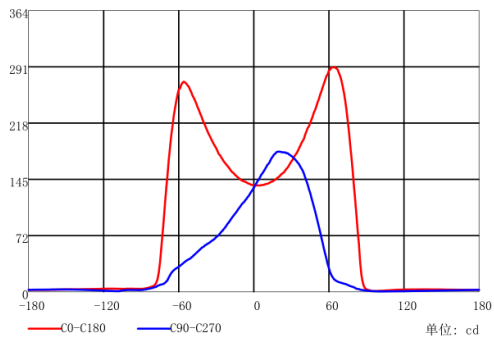
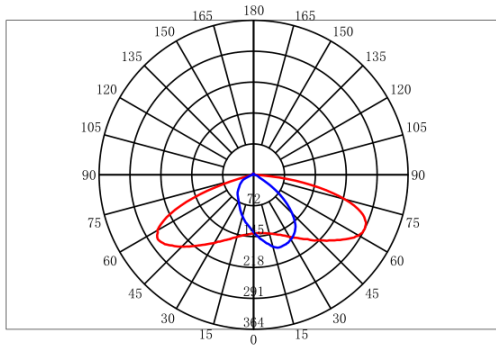


配光曲线



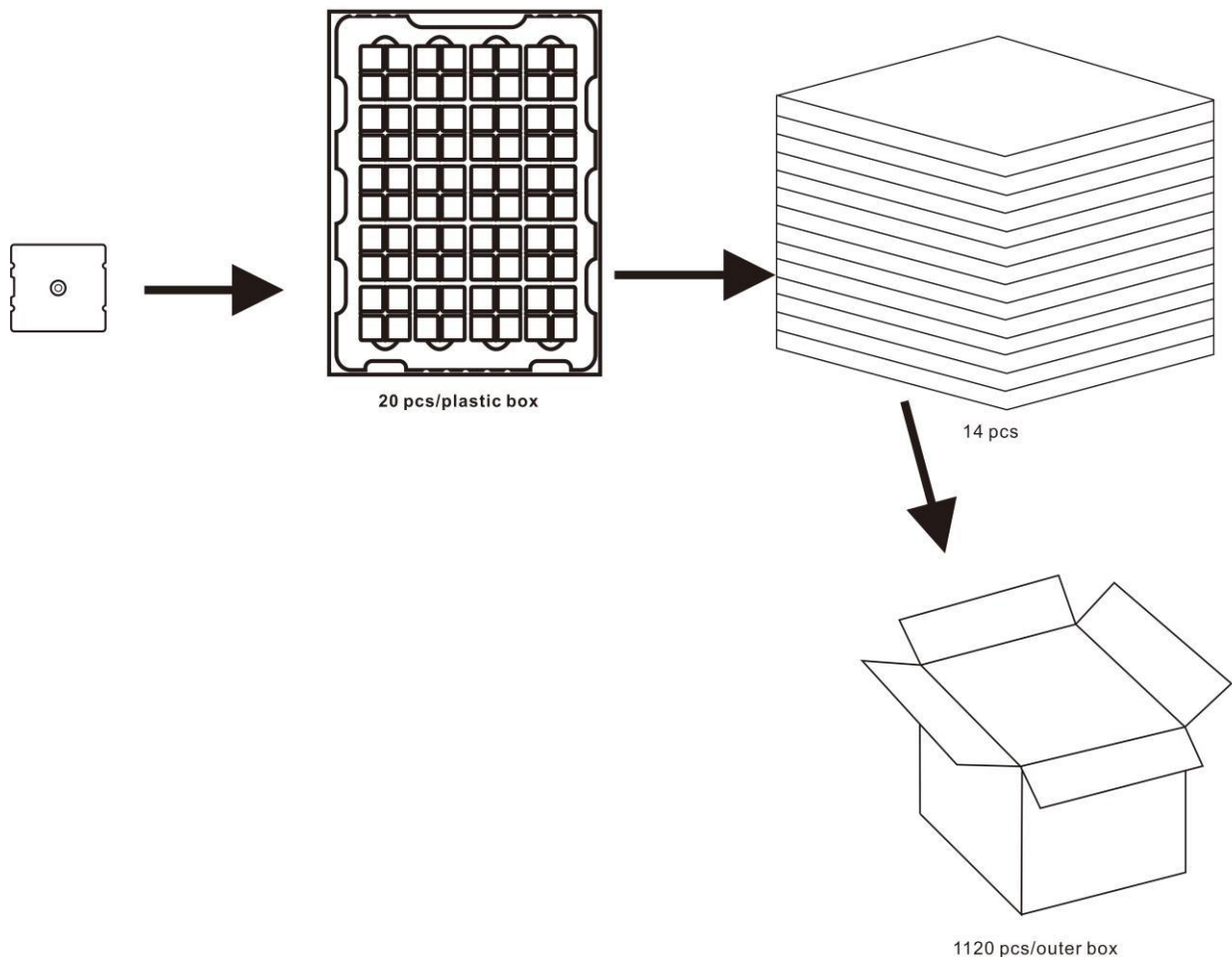
— C0-C180 — C90-C270 — G64

配光曲线



Packing

| Material | Size | Total |
|------------------------|----------------|-----------------------|
| Antistatic blister box | 4W | 20PCS a layer or deck |
| Box | 335*245*105/mm | 280PCS/ Box |
| Outer Box | 510*330*255/mm | 1120pcs/ Outer Box |



Application Notes

(1) Please use a little water and soft fabric (air-laid paper) to clean the lens & reflector if necessary.

(2) Forbid to use industrial solvent to clean the lens, such as alcohol.

(3) The working temperature is $-40^{\circ}\text{C}\sim+80^{\circ}\text{C}$.

(4) Storage environment temperature is $0^{\circ}\text{C}\sim40^{\circ}\text{C}$, humidity is 30%~95%。

Optic Lens has the function to change the ray of light, it is made of optical material, the effect shall be influenced once pollute. Please do not open the packing before use it, to avoid the dust pollution.

(5) Protect the product from the sun and other ultraviolet ray, as these will lead to aging, change color, crack, etc.

(6) Please wear gloves once install the lens, avoid to abrasion the lens surface.

(7) Forbid to use acidic or alkaline solution touch the product, avoid to generate the chemical reactions.